

NAME: LED Corn Light

P/N: 13080111

Advantage

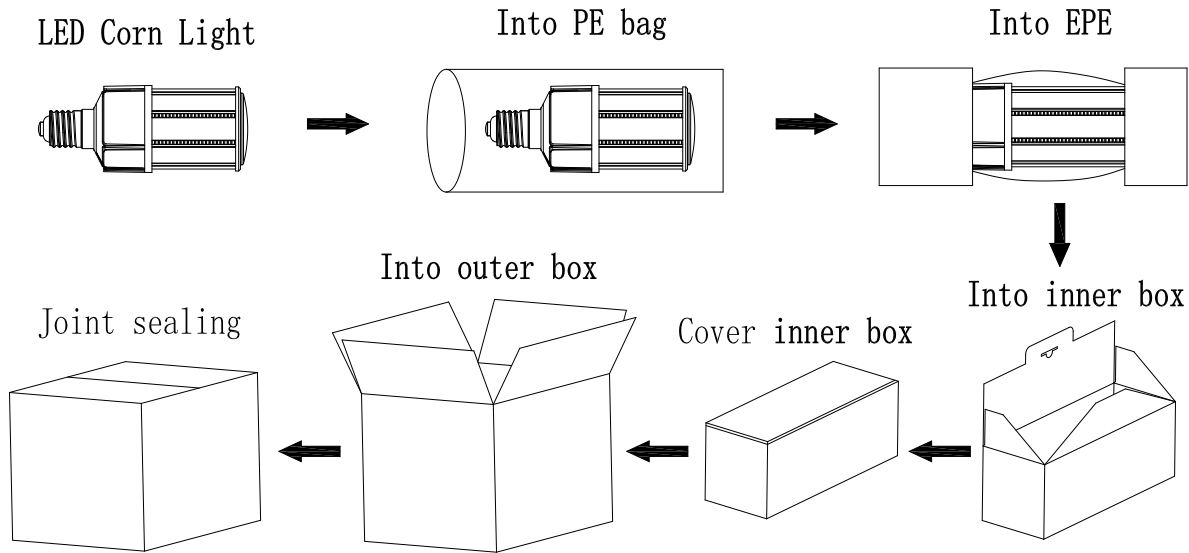
- UL DLC certificate
- E39 lamp base
- 360 degree lighting, high CRI.
- IP64 Waterproof Rating
- Big heat sink, double SUNON fans.
- Internal driver, input voltage AC100-277V.
- New style and high efficient wide-range input.
- Long lifespan and good heat dissipation.
- Direct replacement for Metal Halide, Easy Installation.
- Fits many different fixtures to replace traditional lamps.

Application

Replacement Lamps for Outdoor Pole/Arm-mounted Decorative Luminaires (Type B).

PRODUCT SPECIFICATIONS	
Product name	LED Corn Light
Light Type	Corn Light
Part No	13080111
Dimension	Φ125*270 MM
Technical Characteristic	
Cover	Clear
Color temperature	4000K、 4500K、 5000K、 5700K
CRI	> 80
Lumen-In Luminaires	8800-9400 LM
Lumen Efficacy-In Luminaires	110-116 LM/W
Input Power	80 W
Viewing Angle	360 degree
Input Voltage	AC100-277V 50/60Hz
PFC	>0.9
Equivalent	150W CFL , 250W MHL/HPS/HID
Waterproof Rating	IP64
MATERIALS	
LED Type	SMD2835
LED QTY	560 PCS
Housing	PC+AL
Housing color	White+Grey
OTHERS	
Operating Temperature	-20°C TO 45°C
Operating Humidity	20%-70% RH
Storage Temperature	-30°C TO 80°C
Storage Humidity	10%-75% RH
Application	Indoor/Outdoor
Safety Certification	UL, DLC
Warranty Time	5 Years

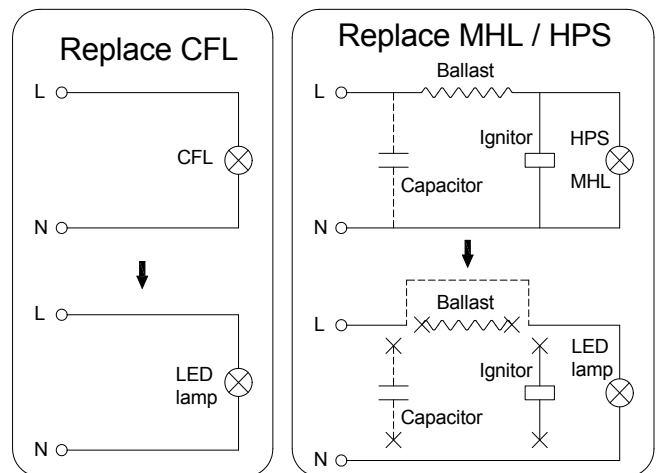
Package



	Size	Qty/ Carton	Net Weight/ Carton	Gross Weight/ Carton
Inner box	300*150*150 MM	1 PC	1.07 KG	1.27 KG
Outer box	465*315*320 MM	6 PCS	6.4 KG	8.4 KG

Notice For User

- Please turn off power before install or change assembly parts.
- The input voltage and lamps should be matched, after connecting the power line, please make sure the wiring section is insulated.
- Make sure to remove or bypass the ballast in the fixtures before install the lamps.
- Suitable for damp locations. Do not use with dimmers.
- Suitable for use in enclosed luminaires, min. lamp compartment dimensions: 420*230*230MM.
- No-professionals, must not install and disassemble the lamps.



Trouble Shootings

Troubles	Check points
Flickering of the lamps	Turn off the power and turn on again in 3 minutes. If same phenomena occur, then call agencies
Out of working	Please check the connection