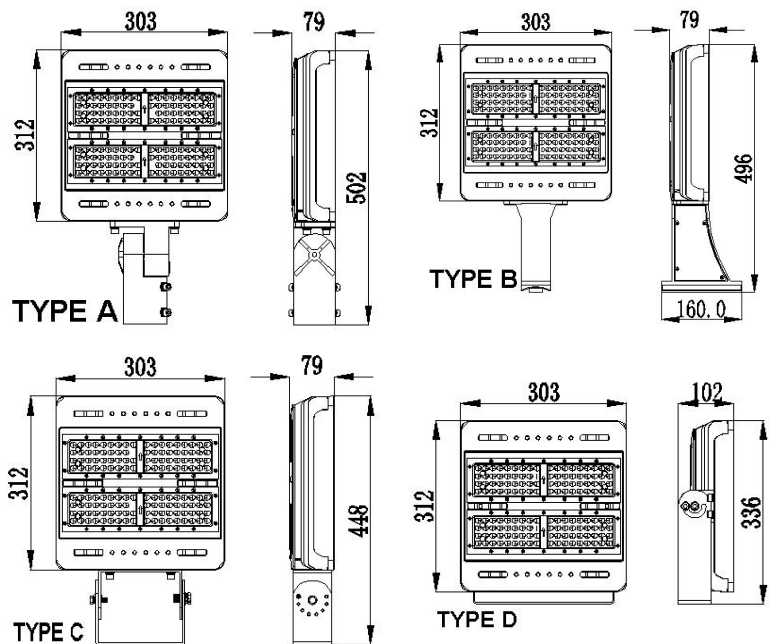


NAME: LED Shoebox Light

P/N: 41100401

Advantage:

- UL DLC certificate
- PHILIPS LUMILEDS Chip, high CRI
- IP65 driver, input voltage 100-277VAC
- No UV or IR in the beam
- Easy to install and operate
- Energy saving, long lifespan
- Light is soft and uniform, safe to eyes
- Instant start, NO flickering, NO humming
- Green and eco-friendly without mercury.



Application:

- 1. Outdoor basketball court, tennis court.
- 2. Badminton court, the football field.
- 3. The school playground, stadium.
- 4. Community leisure entertainment plaza, road lamp etc.

TECHNICAL DATA SHEET

Product Specifications

Product Name	LED Shoebox Light			
Light Type	41100401			
Stent type	TYPE A	TYPE B	TYPE C	TYPE D
Dimension	502*303*79mm	496*303*160mm	448*303*79mm	336*303*102mm

Technical Characteristic

Color temperature	4000K、5000K、5700K
CRI	>70
Lumen	12000-12800 LM
Lumen Efficacy	122-130 LM/W
Input Power	100W
Viewing Angle	150*85 Degree (Type III)
Input Voltage	100-277V 50/60Hz
Driver model	China Brand Driver
PF	>0.9
Waterproof Rating	IP65

Materials

LED Brand	PHILIPS LUMILEDS
LED Type	LUXEON 3030 2D (1.5W)
LED QTY	112PCS
Housing	Aluminum Alloy
Housing color	Black
Optional Accessory	Photocell / Surge protector
Operating Temperature	-20℃ TO 45℃
Operating Humidity	20%-90% RH
Storage Temperature	-30℃ TO 80℃

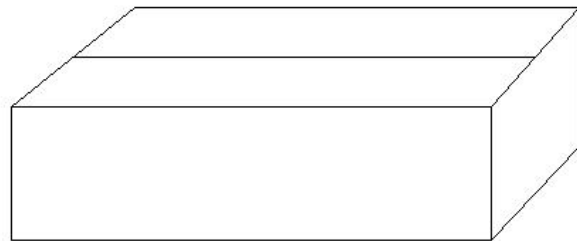
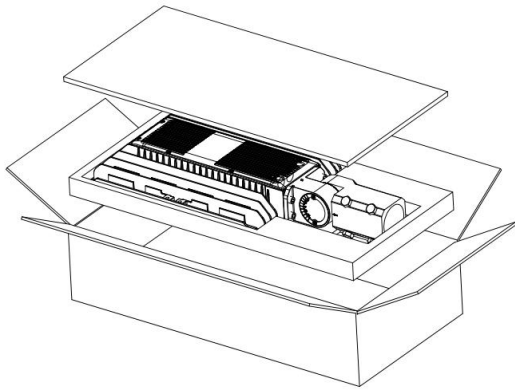
Others

Storage Humidity	10%-95%
Application	Outdoor
Safety Certification	UL, DLC
Warranty Time	5 Years

TECHNICAL DATA SHEET

Package

Stent type	Lamps Net Weight	Size	Qty/Carton	Weight/Carton
TYPE A	6.0 KG	560X360X155MM	1	7.0 KG
TYPE B	5.9 KG	550X360X220MM	1	7.0 KG
TYPE C	5.7 KG	560X360X155MM	1	6.7 KG
TYPE D	5.6 KG	395X360X155MM	1	6.5 KG



Notice For User

- ◆ Please turn off power before install or change assembly parts.
- ◆ The input voltage and lamps should be matched, after connecting the power line, Please make sure the wiring section is insulated.
- ◆ No-professionals, must not install and disassemble the lamps.

Trouble Shootings

Troubles	Check points
Flickering of the light	Turn off the power and turn on again in 3 minutes. If same phenomena occur, then call agencies.
Out of working	Please check the connection.